



THE REAL PRIVATE TEACHERS' VOICE EXAMINATIONS BOARD
NEXT TO PRIMARY LEAVING EXAMINATIONS – 2022
THE VERIFIED UNEB BLUE PRINT ITEM (TWO)

INTEGRATED SCIENCE

Time allowed: 2 Hours 15 Minutes

BASED ON
 THE
 PRIMARY SCHOOL
 ABRIDGED CURRICULUM
 FOR UGANDA

Index no:

Random No					Personal No				

Candidate's name:

Candidate's signature:

School:

District :

Read the following instructions carefully

1. This paper is made up of two sections: **A** and **B**.
2. Section **A** has **40** questions (**40 marks**).
3. Section **B** has **16** questions (**60 marks**).
4. Answer ALL questions in both sections **A** and **B**.
5. All answers **MUST** be written in the space provided
 In blue or black ball point pens or ink. All diagrams
 Should be in pencil.
6. Unnecessary crossing of answers will lead to loss of
 Marks.
7. Poor hand writing which cannot be easily read,
 May lead to loss of marks.

FOR EXAMINERS' USE ONLY		
Qn. No	MARKS	SIGN
1 – 10		
11– 20		
21 – 30		
31– 40		
44 – 46		
47 – 48		
49 - 51		
52 - 53		
54 - 55		
TOTAL		

The Real Private Teachers' Voice Examinations Board 2022.

Tel: 0782-927840/0704-816448/0741-126776

REAL PRIMARY LEAVING EXAMINATIONS 2022

Rely on us for weekly, monthly, Beginning of term, midterm and End of term tests. Pre-mocks, Mocks and Pre-PLE Examinations.

OUR PROMISE We are here to ease P.L.E for you. We are ready to **SERVE** you till the last minute.

We are Approachable, Reliable and Affordable



SECTION A (40MKS)

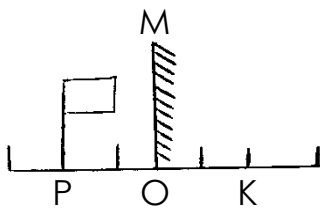
1. Give one example of a legume crop.

2. Why is air regarded as matter?

3. What is the importance of thick walls in arteries?

4. Why do male birds have more brightly coloured feathers than female birds?

The diagram below shows a ball being kicked by a footballer. Use it to answer questions 5 and 6.



5. Draw the image of **P** at point **K**.

6. State one characteristic of the image

7. What does formation of echo demonstrate about sound?

8. Why is cattle regarded as a ruminant?

9. State one way in which plants depend on people for their existence.

10. Which body organ is heavily damaged by alcoholism in the human body?

11. Apart from being supported by supported by oxygen, how is burning and rusting similar?

12. In which state of matter does sound travel fastest?

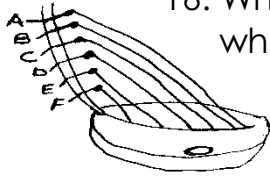
13. Name any one exotic breed of goats kept for milk production apart from saanen.

14. Give one reason why mulching is disadvantageous to farmers.

15. Why is water not recommended to put out petrol fire?



The diagram below is a musical instrument. Study it carefully to answer questions 16 and 17.



16. Which of the strings A,B,C,D ,E and F will produce the highest sound when plucked?.....

17. Give a reason to support your answer.
.....

18. Give one way in which a body benefits from having enough rest.
.....

19. State one component of a balanced diet that keeps a pregnant mother and her foetus healthy.
.....

20. Why do passengers seated in a moving bus bend forward after the driver breaks abruptly?
.....

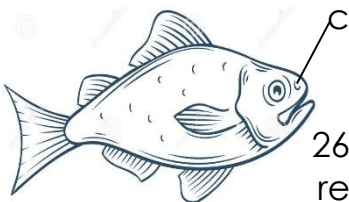
21. Name the farming practice that keeps tomato plants upright in the garden?
.....

22. Why is a frog able to live comfortably in water and on land?
.....

23. Mention one breed of cattle kept in Uganda.
.....

24. How is a mushroom important to a crop farmer?
.....

Below is a diagram of a fish. Use it to answer questions 25 and 26.



25. Name the part a poisonous snake whose function is similar to the part of a fish labelled **C**
.....

26. How does the animal in the diagram help to control mosquito related diseases in a community?
.....

27. Mention down one renewable resource degraded by poaching.
.....

28. How is a sprain different from a strain?
.....

29. Which element of **PHC** involves sharing information about preventive measures against COVID-19?
.....

30. Give one way magnets help in production of electricity.
.....

31. How does a hyena benefit from a lion?
.....

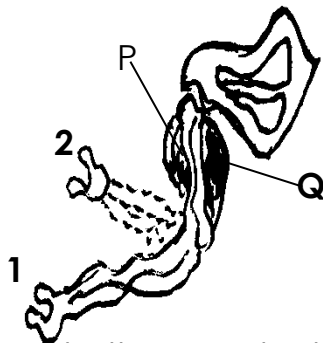


32. Mention down one way pasteurization controls the effect of bacteria on fresh milk.
.....
33. Name the process that eliminate waste products from a human body.
.....
34. Which characteristic of living things leads to an increase in size of an organism?
.....
35. Name the tropism that enables plants to make their own food.
.....
36. Give any one factor that leads to soil exhaustion
.....
37. How is immunity important to the human body?
.....
38. Why are gaps left between railway lines?
.....
39. Give one way information collected during a healthy survey is useful to the government.
.....
40. Give one characteristic of objects which float on water.
.....

SECTION B (60 Marks)

41. a).What do the following letters stand for as in the management of accidents?
(i) **B**..... (ii) **C**.....
(b).When is a mouth to mouth resuscitation applied as a first aid?
.....
(c). Give one major reason for giving first aid.
.....

42. **The diagram below shows the fore arm. Study it carefully to answer questions that follow.**



- a.) Give the names given to the muscles labelled **P** and **Q**.
P.....**Q**.....
- b). What happens to muscles **P** and **Q** as the hand is lifted from positions **1** and **2**?
i) **P**.....
ii) **Q**.....



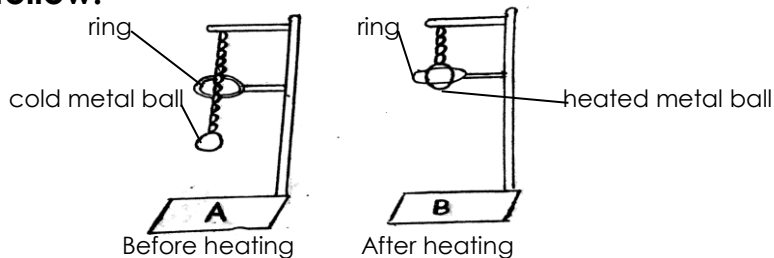
43. a). Where does absorption of alcohol take place in the human body?

b). Which digestive juice contains the following enzymes?

(i) trypsin.....(ii) ptyalin.....

c). How does human teeth aid the process of food digestion?

44. The diagram below shows the effects of heat on matter. Study it carefully to answer questions that follow.



(a). What does the above experiment show about metals?

(b). Why did the metallic ball in diagram B fail to pass through the ring?

(c). Apart from the above effect, state two other effects of heat on matter.

(i).....

(ii).....

45. The table below has two lists. List A shows deficiency diseases while list D has food values.

List A	List D
(a) anaemia	vitamin C
(b) goitre	iron
(c) night blindness	vitamin A
(d) scurvy	iodine

(i) anaemia.....(ii) goitre.....

(iii) night blindness.....(iv) scurvy.....

46. a). What is steaming up as used in cattle management?

b). Name one class of food used during steaming up in cattle.

(c). Give two reasons why cattle farmers carry out steaming up.

(i).....

(ii).....



47. a). A teacher cannot do work without drinking alcohol, give one danger of a habit to:
 (i) this teacher.....
 (ii) the family of this teacher.....
 b.) Give any one way the teacher can avoid this habit.

48. **Below is a diagram of a bird's beak. Study it carefully to answer questions that follow.**



- (a). Name the type of food eaten by the bird in the diagram.

 (b). How is the beak in the diagram adopted to its mode of feeding?

 (c) How does the bird whose beak is shown above benefit flowering plants?

 d). Give one difference between an eagle and a sunbird in a way they feed.

49. a). Give any two causes of convulsions
 (i).....
 (ii).....
 b). Why is a convulsing person advised to;
 (i). put an object between his/her teeth?

 ii). avoid eating food?

50. a). How is each of the following crops harvested?
 (i). cassava.....
 (ii). Coffee.....
 b). Mention any two ways of controlling crop pests without using chemicals.
 (i).....
 (ii).....

51. a). Give any two causes of sexual deviations.
 (i)
 (ii).....
 b). State one effect of sexual deviations to school children.

 c). How can schools avoid sexual deviations among children?

52. (a). State two properties of pure water.
 (i).....
 (ii).....



b). Give one disadvantage of using hard water to clean clothes.

c). Explain why river blindness is a water habitat disease.

53. a). Given **algae, mosses, ferns, beans** and **conifers**. Which two plants in the list can be grouped together?

(i).....(ii).....

(b) Give a reason for your answer in **(a)** above.

(c) How are beans similar to conifers in their mode of reproduction?

54. a). State the importance of the following parts of a flush toilet.

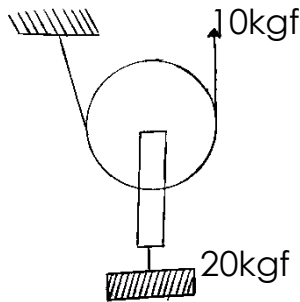
(i) bowl

(ii) water tank

b). Why should a pit latrine be constructed far away from a water body?

c). Give one disease that can result poor latrine usage.

55. **Below is a pulley system. Study it carefully to answer questions that follow.**



a).Name the pulley system shown above.

b). Give one advantage of using the pulley system above.

c). State the mechanical advantage of the pulley system above.

d). State one activity where the above pulley system is involved.

**WE ARE THE REAL
AND SO YOU ARE**

